

TASPL - Tripod Turnstile
Model: TDB-141



Toshi Automatic Systems Pvt. Ltd. series of tripod turnstiles are designed to control pedestrians entering or exiting security controlled areas. The standard model has an aisle (lane) width of 500mm and the maximum of the lane can be 550mm. tripod turnstiles design can be used in be-directional control applications with high volume pedestrian traffic. This unit has been designed to provide a cost effective anti-tailgating pedestrian solution utilizing a tri-arm bar configuration with 3*120° movement. Function : Passage in both directions, electronically controllable.

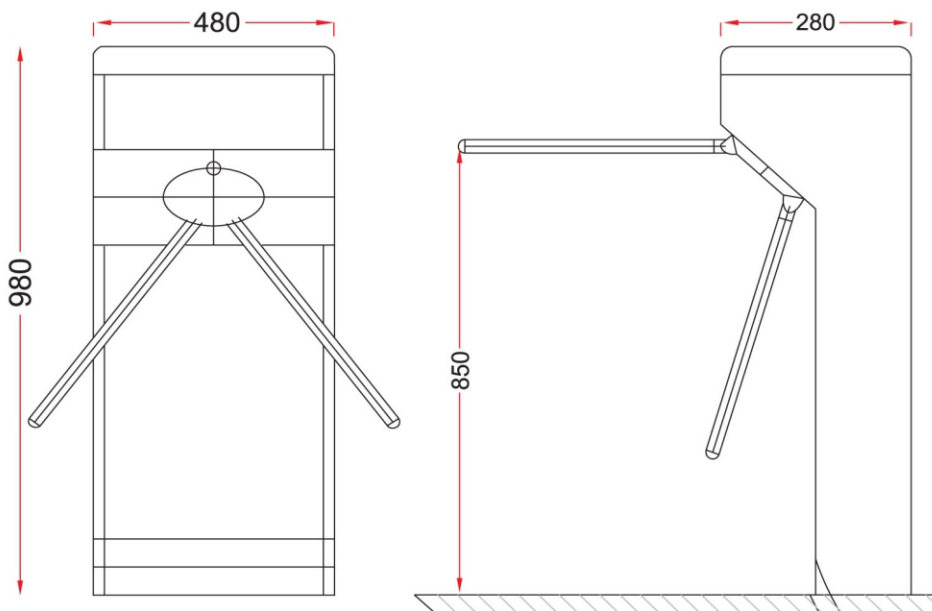
Operating modes

Single passage in the set direction.
Bi-directional single passage.
Free passage in the set direction.
Always free.
Always locked.

Electro-magnetic drive

Three million times or above operation test for electro-magnetic drive.
Overheat and overload dual protection for electro-magnetic drive.

Cabinet	: Stainless Steel AISI 304
Internal Structure	: Stainless Steel Frame.
Length of swing arm	: 500mm to 550mm
Unlock Time	: 0.2 S
Passing Speed	: 35 Person / Min
Passing Width	: ≤ 550mm
Power supply	: AC 220V, 50/60Hz,
Operational voltage	: 24v
Max power consumption	: 60w
Frequency	: 50Hz~60Hz
Protection level	: 55IP
Working temperature	: -25°C to +70°C
Electro-magnetic drive	: DC
Dimension excluding bars	: H980xW480xD280mm



ASCON ENTERPRISE

77A/ 22, Raja S. C. Mullick Road, Kolkata- 700092
Tel: 033 2413 7160 M# +91 98300-39931 / 94335-56655 / 90736-79221
e-mail : asconsanjib@gmail.com Web. www.asconenter.com