

Automatic Swing Door

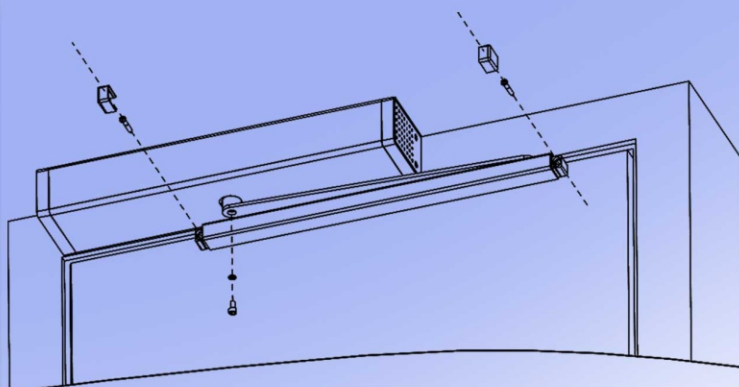
Controller - Model : TAS 1100 / 2100



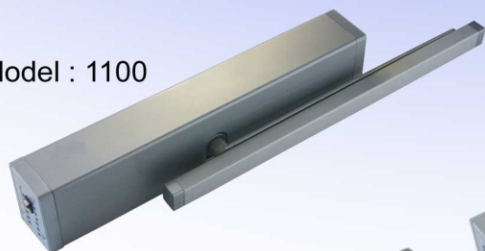
When a door is too heavy to operate manually, an automatic swing door system is the perfect solution. Whether your door needs are for intensive or minimum usage, single doors or double, Toshi swing door operator are flexible enough to suit your particular needs. We can also convert existing manually operated doors to automatic operation. Swing doors offers maximum convenience and safety and is ideal for use in a wide range of applications including hospitals, schools, homes for the elderly or those requiring assistance, as well as airports, railway stations, shops and offices. Using state of the art microprocessor technology Toshi swing door operator feature control systems that enable the door to perform intelligent functions.

Technical Specifications :

Model	TAS1100	TAS2100
Door Type	Single	Double
Max Width	1200mm	1000mm x 2
Max weight	130kg	130kg x 2
Open angle	0°~110°	
Power	AC220V±10%, 50~60Hz	
Opening speed	2~4 S (Adjustable)	
Closing speed	2~4 S (Adjustable)	
Open time	1~20 S (Adjustable)	
Manual force	< 30N	
Power consumption	< 50W	
Work temperature	-20°C~+50°C	
Dimension	518x77x106mm	518x77x106mm x 2
Weight of Opetator	8kg approx	8kg approx x 2



Model : 1100



Model : 2100

